

Type:	Anchor clamp for fiber optic cable AERO DF and AERO DDF	REV.:1.0
Ref. code.:	AT-UO-AOFT	
Date:	14.02.2019	PG
Modification:		

**Airtrack solution.**

Anchor clamp for fiber optic cable AERO DF and AERO DDF – **AT-UO-AOFT**



**DESCRIPTION:**

AT-UO-AOFT anchor clamp is intended for self-supporting construction of the AERO DF and AERO DDF fiber optic cable. An anchor clamp is constructed on a wedge which cuts in a fiber optic coat on its entire length and does not cause any damage to the coating.

**APLICATIONS:**

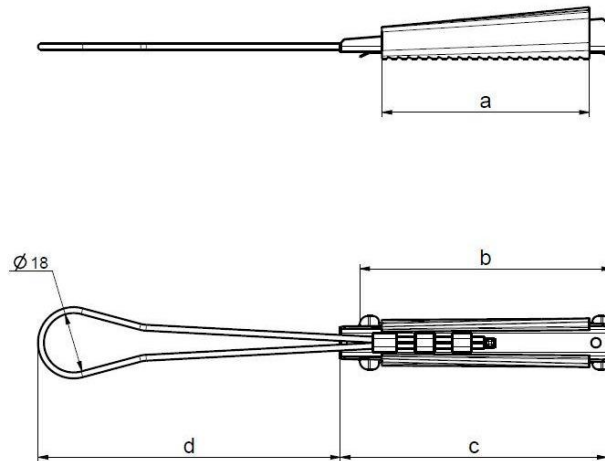
AIRTRACK networks;  
FTTx networks;

**FEATURES & BENEFITS:**

Compact housing;  
Intended for AERO DF and AERO DDF;  
High strenght of the wedge grip;  
Does not damage the outer cable coat;

**TECHNICAL SPECIFICATION:**

Characteristic	AT-UO-AOFT
Weight [kg]	0,036
Material	Aluminium and stainless steel
Minimum breaking force	100 daN



Dimensions [mm]			
a	b	c	d
70	90	90	110

**Important notice**

Buyer and/or user of this product has to make sure before using this product that it is suitable for the intended use. All questions of liability relating to this product are subject – in accordance with the prevailing – to the Term of Sale of the selling Fibrain subsidiary.