

DATASHEET

Industrial Splice Distributor with Metal Housing, unassembled



Description

Fully assembled metal housing
 For DIN Rail mounting
 Cable entries top/bottom, prepared for M20
 Delivery incl. screws for front panel

Included: 1 x splice distributor housing
 1 x splice cassette
 1 x splice holder for 12 crimp splices (Attach of an optional additional splice holder only with double-sided adhesive tape)
 1 x cable gland M20
 1 x Alu DIN Rail clip

Delivery unassembled and without Front panel

Dimensions: 61x115x113mm

General data

Mounting method	DIN-Rail
With housing	True
With front plate	False
With pigtails	False
Suitable for number of module inserts	-
Number of height units	-

This datasheet was created automatically on 08-04-2020 . Technical changes reserved.

DATASHEET

Industrial Splice Distributor with Metal Housing, unassembled

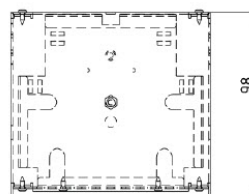
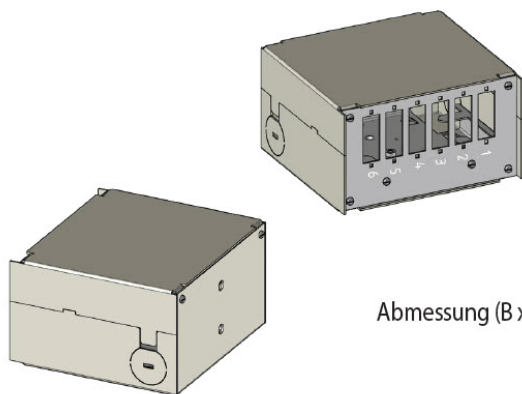
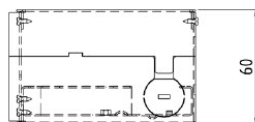
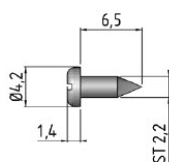
Dimensions

Height	115.0 mm
Width	61.0 mm
Depth	113.0 mm

Available variants

Article no.	Title	Suitable for number of couplings/adapters	Colour RAL-number	
53705.1V3	Industrial Splice housing for DIN Rail without front panel RAL7035	12	grey	7035

Technical drawings



Abmessung (B x H x T), 61 x 115 x 113mm

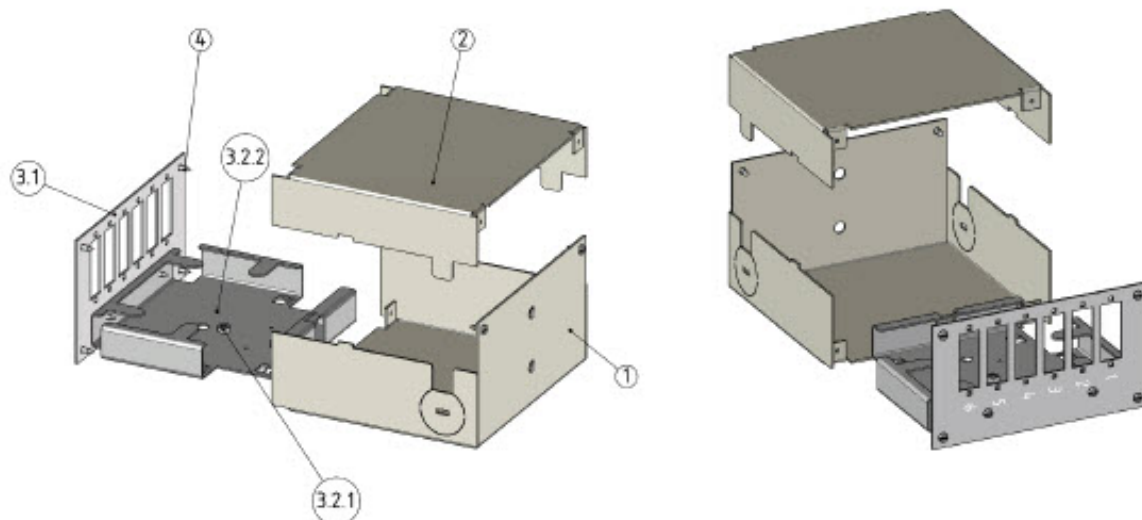
This datasheet was created automatically on 08-04-2020 . Technical changes reserved.



DATASHEET

Industrial Splice Distributor with Metal Housing, unassembled

Technical drawings



Nr.	Beschreibung	Q'ty
1	Gehäuseteil 1	1
2	Gehäuseteil 2	1
3.1	Frontblende (Nicht im Lieferumfang)	
3.2.1	Gewindeniet	1
3.2.2	Montageplatte	1
4	Zylinderblechschraube	8

accessory

53705.5V2B | Front plates for Industrial Splice Distributor 53705.1V3

This datasheet was created automatically on 08-04-2020 . Technical changes reserved.

